

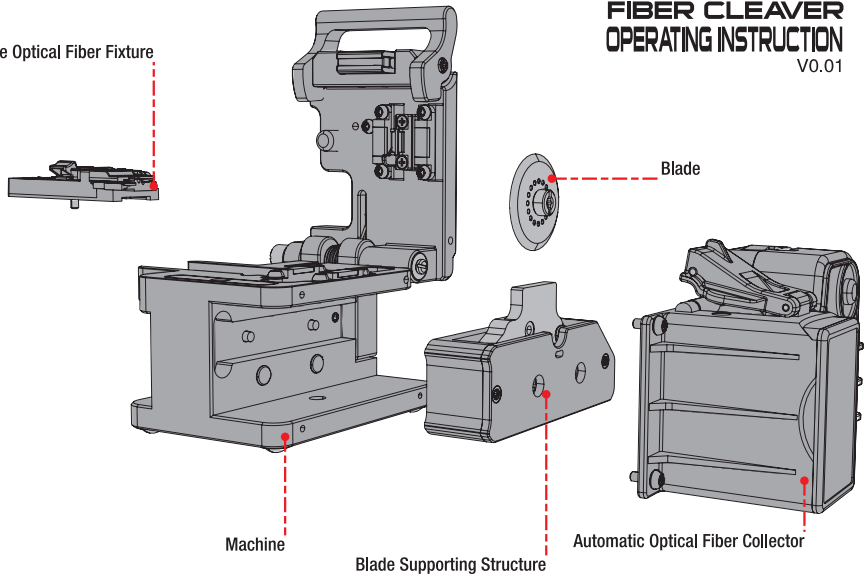
V7

FIBER CLEAVER

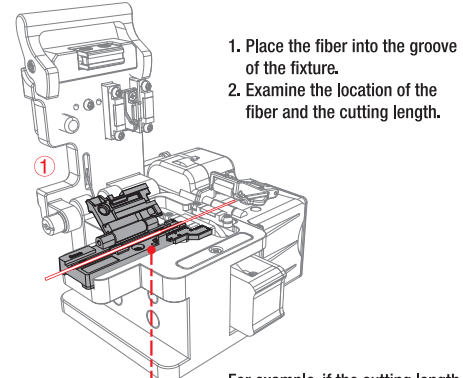
OPERATING INSTRUCTION

V0.01

Single Core Optical Fiber Fixture

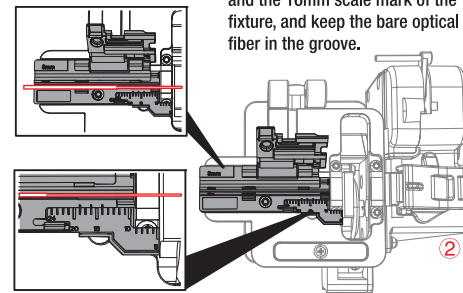


Operating method



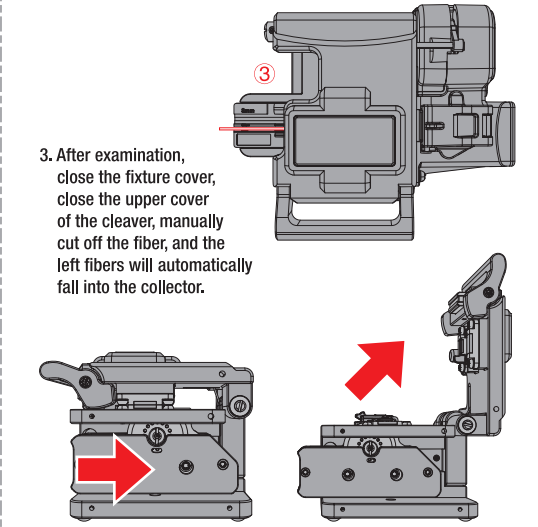
1. Place the fiber into the groove of the fixture.
2. Examine the location of the fiber and the cutting length.

Single Core Optical Fiber Fixture



For example, if the cutting length is 16mm, align the coating edge and the 16mm scale mark of the fixture, and keep the bare optical fiber in the groove.

Manually Cutting, Automatically Returning!

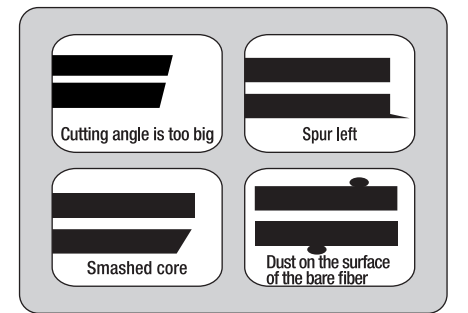


3. After examination, close the fixture cover, close the upper cover of the cleaver, manually cut off the fiber, and the left fibers will automatically fall into the collector.

Manually Cutting, Automatically Returning!



Trouble Shooting



- The following causes may result in bad cutting:
1. The fiber is not well placed. --Please vertically place the fiber.
 2. The blade is placed too high. --Please adjust the height of the blade.
 3. There is dust or other objects on the rubber cushion or the fixture. --Please clean the rubber cushion or the fixture.
 4. There is dust or other objects on the fiber. --Please strip the coating of the fiber again, and then clean the fiber with alcohol.
- If the bad cutting repeatedly occur, please contact the maintenance department of our company.**

Safety instructions

- Thank you for using our product. In order to use this product correctly, please read the instructions before use. After reading, please keep this instructions where the user may use at any time.
- If the safety operating instructions are not followed, it may cause damages to the human body and product.**
- Notice:**
1. Disassemble or fill oil to the machine may cause malfunction.
 2. Tap or fall (intensive impact) may damage parts and properties of the cleaver.
 3. Do not touch the blade with hands, in order not to damage the blade or harm yourself.
 4. The fiber and fragment of the fiber is sharp, please clear them away as soon as possible.
 5. Please properly place the fiber fragment, a special collector is recommended.
 6. If there is malfunction or abnormal, please stop using and contact the service department of our company. Do not disassemble or refit by yourself.

Product description

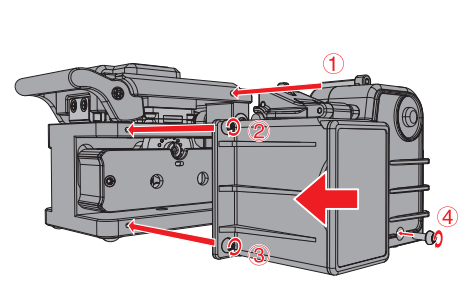
Applicable diameter of the bare fiber	125μm
Applicable number of the fiber cores	Single core (Ø0.25&0.9mm) ~ 12 cores ribbon fiber
Cutting length of the fiber	10mm
Size	100(W)X80(D)X62(H)
Weight	about 379g

Fiber cleaver	1
Certificate	1
Operating instructions	1
T8, T6 wrench	1
Testing report	1
Collecting bag	1
Packing box	1

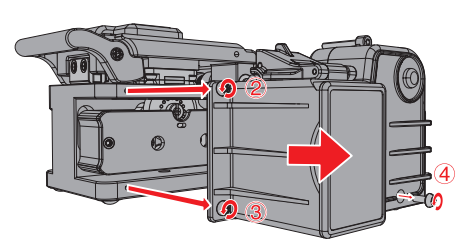
Optional accessories

Blade	B77
Fiber fixture	FH-SOC (exclusive for fusion welding joint) FH-12R (ribbon fiber -12 cores)

Installation and disassemble of the collector

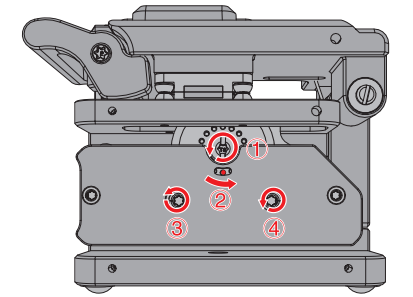


Align 1 to 4 and insert the collector into the machine, and spin tight the screw at 2,3 and 4 in order to fix the collector onto the cleaver.

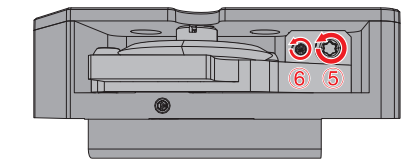


Spin loose the screws at 2, 3, 4, take off the collector.

Adjustment the blade



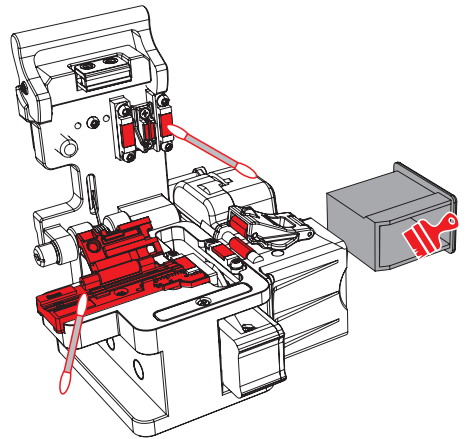
1. Use T8 wrench to spin loose the screw at place 1, insert into place 2 with tool and spin anticlockwise to the next scale mark, and then spin tight the screw at place 1.



2. Use T8 wrench to spin loose the screw at 3 and 4.
3. Spin M3 on the left to adjust the fixing screw 6 to change the height of the blade. Spin the screw clockwise to raise the blade, spin the screw anticlockwise to lower the blade.
4. After adjustment, spin tight the fixing screws 3 and 4 successively, at the same time, spin tight M3 to adjust T8 box spanner 5 beside the fixing screw.

Daily cleaning

To maintain the cutting function of the fiber cleaver, please clean it as soon as possible after use. Use dehydrated alcohol and cotton swab to clean the places according to the map.



The grooves of the fiber fixture also need to be cleaned.